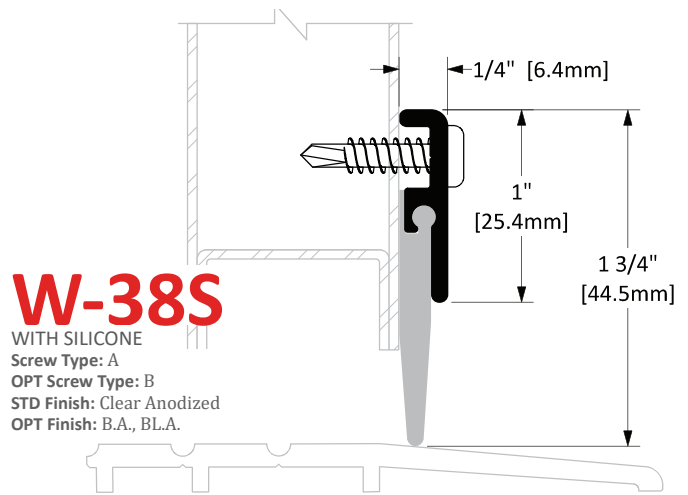
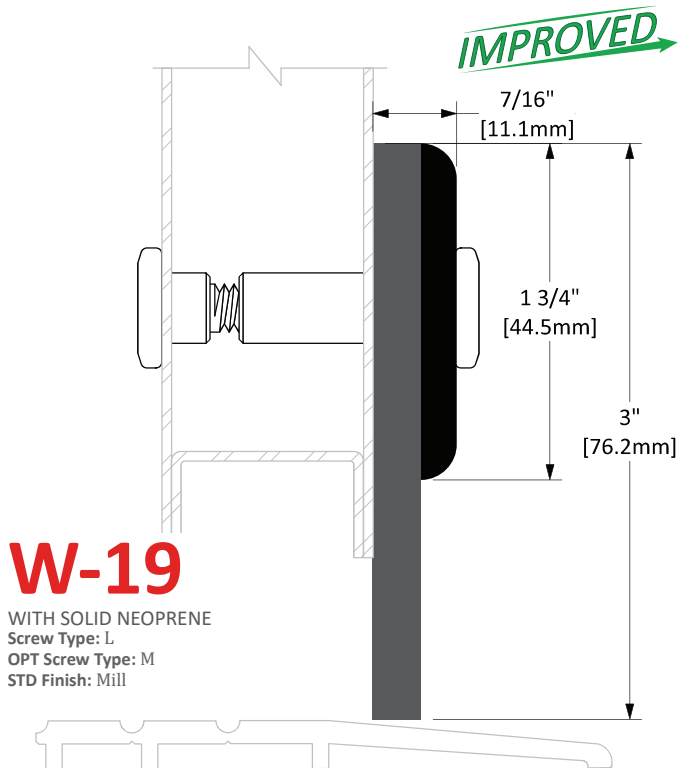
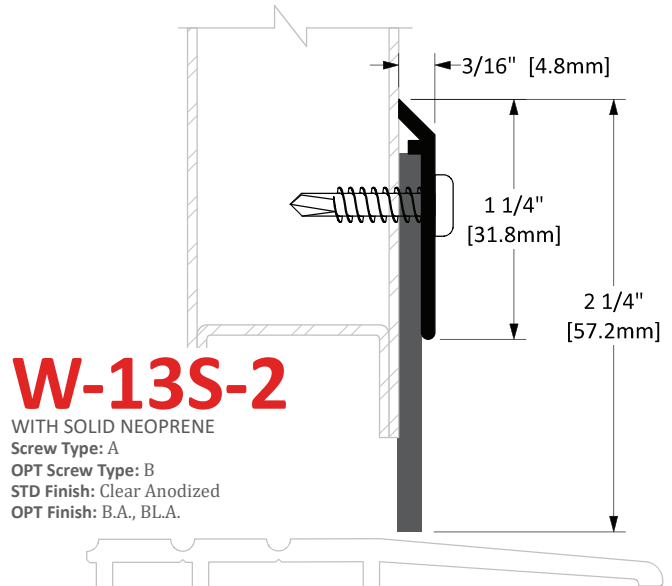
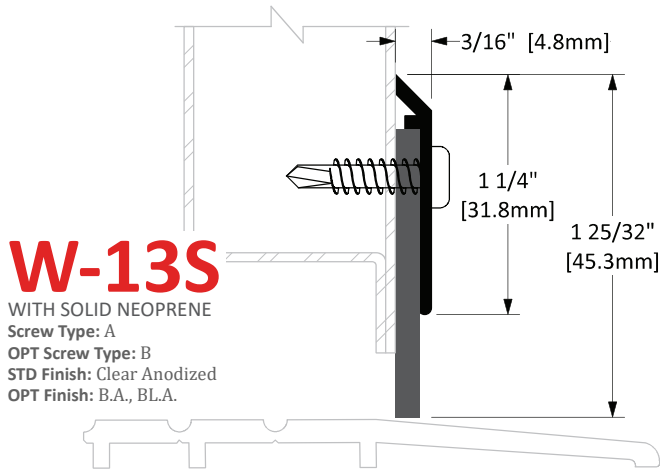
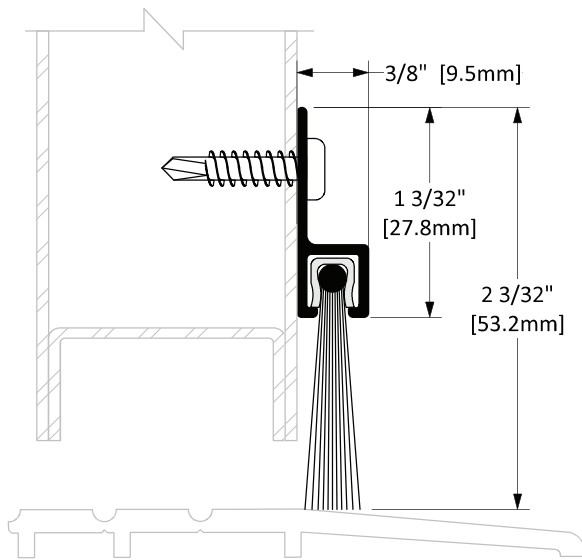


# SWEEPS



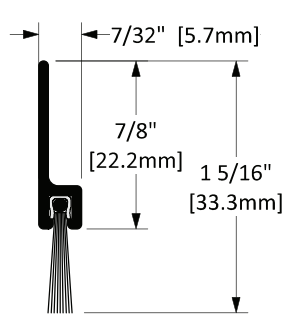
**IMPROVED**

# NYLON BRUSH SWEEPS



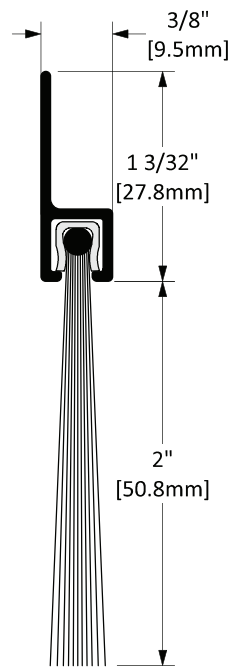
## W-24S

Screw Type: A  
OPT Screw Type: B  
STD Finish: Clear Anodized  
OPT Finish: B.A., B.L.A.



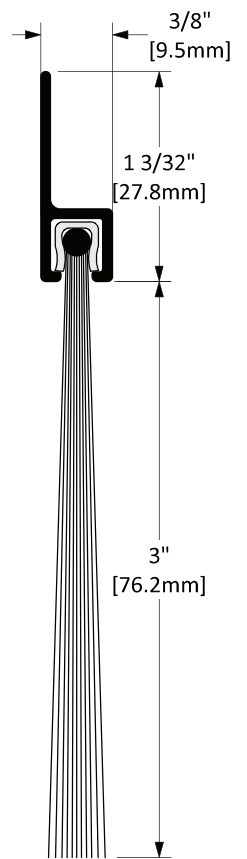
## W-25S

Screw Type: A  
OPT Screw Type: B  
STD Finish: Clear Anodized  
OPT Finish: B.A., B.L.A.



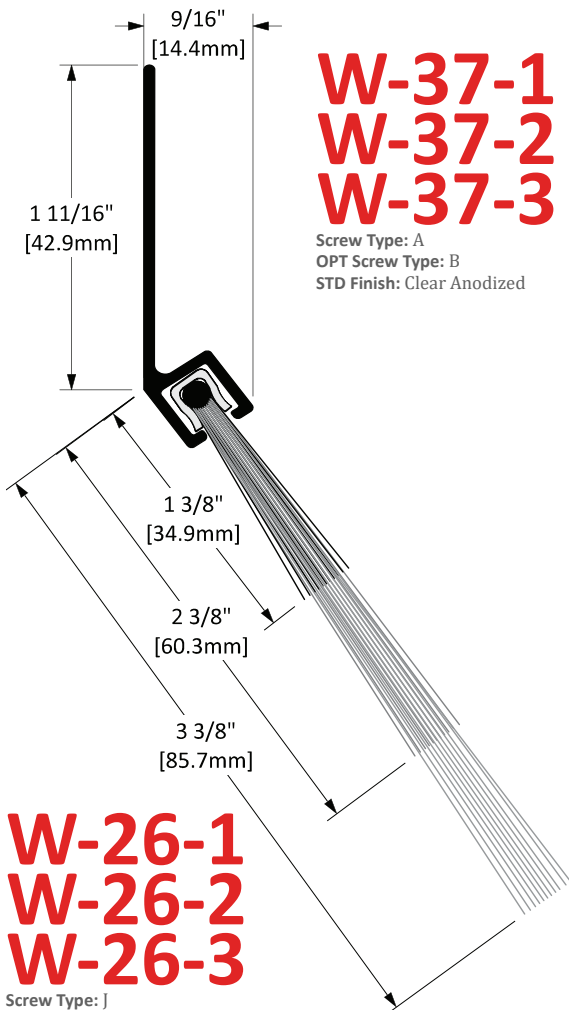
## W-33S

Screw Type: A  
OPT Screw Type: B  
STD Finish: Clear Anodized  
OPT Finish: B.A., B.L.A.



## W-34S

Screw Type: A  
OPT Screw Type: B  
STD Finish: Clear Anodized  
OPT Finish: B.A., B.L.A.

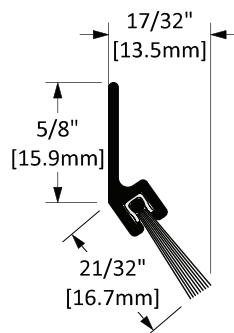
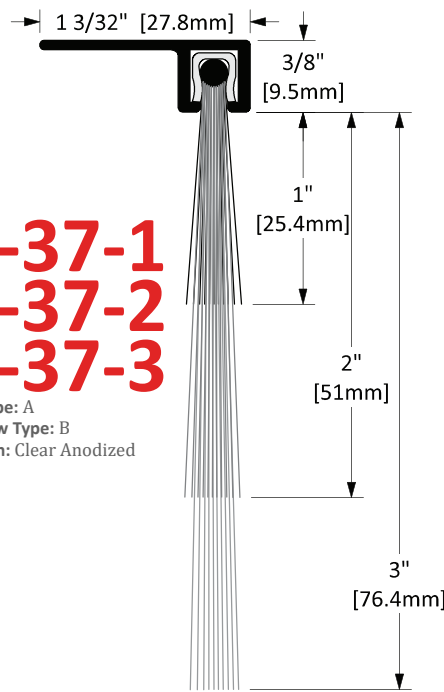


## W-26-1 W-26-2 W-26-3

Screw Type: J  
OPT Screw Type: K  
STD Finish: Mill

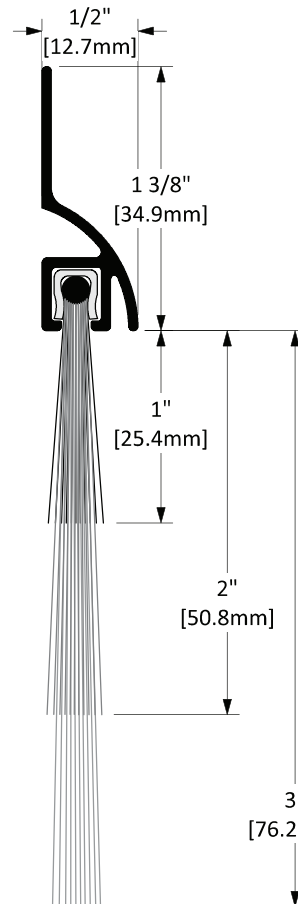
## W-37-1 W-37-2 W-37-3

Screw Type: A  
OPT Screw Type: B  
STD Finish: Clear Anodized



## W-23

Screw Type: A  
OPT Screw Type: B  
STD Finish: Clear Anodized



## W-35-1 W-35-2 W-35-3

Screw Type: A  
OPT Screw Type: B  
STD Finish: Clear Anodized